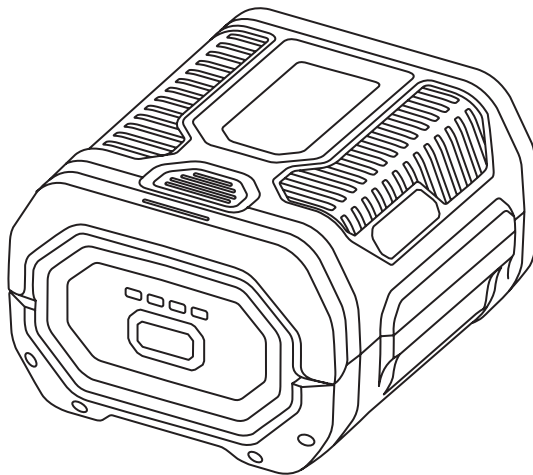


Garant
MC
TM

62V Rechargeable Lithium-Ion Battery

Operator's Manual

Product number: 85819, 85820, 86105, 85821, 85822



CHARGE BEFORE FIRST USE



WARNING: To reduce the risk of the injury, the user must read and understand the operator's manual before using this product. Save these instructions for future reference.

Toll Free Helpline: 1 800 463-7040





Contents

Section 1 General Safety Rules	3
Section 2 Parts Diagram	6
Section 3 Technical Details	6
Section 4 Operations	7
Section 5 Maintenance	9
Section 6 Recycling	10
Section 7 Troubleshooting	10
Section 8 Limited Warranty Coverage	11
Section 9 Product Registration	13

1. General Safety Rules

SYMBOL MARKED ON THE PRODUCT

The following symbols may appear on your device before, during, or after use. Take the time to read over and understand the meaning of each symbol before using your device.

	Safety alert	Precautions that involve your safety
	Read the Operator's Manual	To reduce the risk of injury, user must read and understand operator's manual before using this product
	Do not expose to rain or damp conditions	This symbol indicates that your tool should not be exposed to water in any form. Exposing your device to water can create dangerous conditions and lead to electrocution.
	Recycle Symbols	The battery contains toxic substances. Local, state, or federal laws may prohibit disposal of batteries in ordinary household trash. Consult your local waste authority for information regarding available disposal options.

PLEASE READ ALL INSTRUCTIONS BEFORE OPERATING THIS PRODUCT: The safety instructions in this manual are designed to protect your safety and guide your use of the Garant electric products. Failure to read and understand the following information may create an unsafe workspace which could constitute a risk of electric shock, explosion, fire, chemical reactions and/or serious injury. Save all warnings and instructions for future reference.

1.1 Work Area Safety

- **Prepare your workspace.** Ensuring a clean and well-lit workspace should be the first step in using your Garant tools. Use dust extraction and collection devices if available.
- **Never operate your power tools in the presence of flammable liquids, gases, or dust.**
- **Keep children and bystanders away while operating your power tools.** By operating away from bystanders, you are reducing the risk of injury by minimizing potential harm to people other than yourself. Additionally, you can avoid unwanted distractions which may lead to unsafe operation.

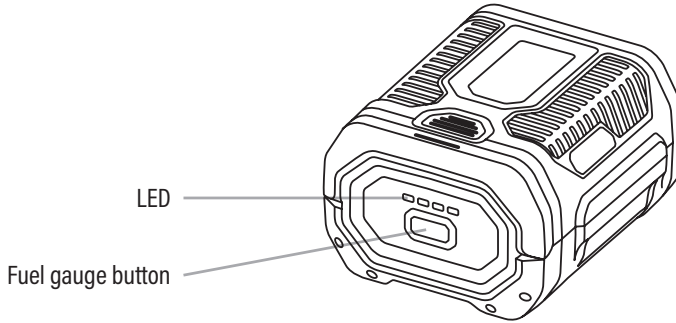
1.2 Battery Pack Use and Care

- **Your battery must be fully charged before its first use.**
- **Recharge only with the Garant charger (85823, 85824).**
- **Keep the battery away from rain and/or moisture.** Water increases the risk of electric shock.
- **Take special care in storing your battery pack.** Keeping your batteries away from other metal objects such as paper clips, coins, keys, nails, screws, or other small metal objects will ensure safe storage.
- **Avoid any contact with liquid discharged from your battery pack.** Liquid will only be discharged from your battery pack in extreme cases, but it is important to be prepared. If contact accidentally occurs, flush the exposed area with water immediately. If liquid contacts your eyes seek medical attention.
- **Do not attempt to modify your battery pack.** Additionally, if your battery pack has been damaged, seek to dispose of it properly and do not attempt to use it again.
- **Never open the battery.** Opening the battery itself can cause a danger of short-circuiting the system.
- **For best results, your battery should be charged in a location where the temperature is more than 40°F (4°C) but less than 110°F (43°C).** To reduce the risk of serious personal injury, do not store batteries outside or in vehicles.
- **Avoid excessive temperatures.** If your battery pack overheats to 212°F (100°C) or more, the battery is at risk of exploding. Be mindful of lengthy exposure to intense sun or fire.
- **Do not crush, drop, or damage the battery pack.** Do not use a battery pack or charger that has been dropped or received a sharp blow. A damaged battery is subject to explosion. Properly dispose of a dropped or damaged battery immediately.

- **Batteries can explode in the presence of a source of ignition, such as a pilot light.** To reduce the risk of serious personal injury, never use any cordless product in the presence of an open flame. An exploded battery can propel debris and chemicals. If exposed, flush with water immediately.
- **Do not let gasoline, oils, petroleum-based products, etc. come in contact with plastic parts.** These substances contain chemicals that can damage, weaken, or destroy plastic.
- **Have your battery pack serviced by a qualified repair person using only identical replacement parts.** This will ensure that the safety of the battery pack is maintained.
- **This battery is compatible only with Garant tools.** Do not use your battery on other tools or for any other purposes.

SAVE THESE INSTRUCTIONS

2. Parts Diagram



3. Technical Details

Battery product number	85819	85820	86105	85821	85822
Voltage	62 Vdc	62 Vdc	62 Vdc	62 Vdc	62 Vdc
Battery capacity	2.5 Ah/ 135 Wh	4.0 Ah/ 216 Wh	5.0 Ah/ 270 Wh	8.0 Ah/ 432 Wh	12.0 Ah/ 648 Wh
Number of battery cell	15 pcs	15 pcs	30 pcs	30 pcs	45 pcs
Weight	2.98 lbs (1.35 kg)	3.75 lbs (1.70 kg)	5.29 lbs (2.4 kg)	6.66 lbs (3.02 kg)	9.37 lbs (4.25 kg)
Compatible charger	85823 & 85824				
Input	100-120Va.c., 60 Hz, 6.5A & 10A				
Output	62V d.c., 4A & 4+4A				
Charging temperature	39 - 104°F (4-40°C)				

4. Operation



WARNING: Always wear safety goggles or safety glasses with side shields during power tool operation. Failure to do so could result in objects being thrown into your eyes and other possible serious injuries.



WARNING: Inspect the entire product for damaged, missing, or loose parts before each use. Tighten all fasteners and do not operate this product until all missing or damaged parts are replaced.

4.1 Fuel Gauge

NOTE: The indicator stays unlit until the fuel gauge button has been pressed. The LEDs will then light up for five seconds and turn off automatically.

This battery features a 4-LED indicator to display the amount of charge left in the battery. To check the charge level, press the Fuel Gauge button.

1. If four LEDs light up green, the battery pack is fully charged. The battery pack capacity is between 80%-100%.
2. If three LEDs light up green and one is off, the battery pack capacity is between 60%-80%
3. If two LEDs light up green and two are off, the battery pack capacity is between 40%-60%.
4. If only one LED lights up green and others are off, the battery pack capacity is between 20%-40%.
5. If only one LED flashes green, the battery pack capacity is lower than 20%, and the battery pack needs to be charged.

4.2 Battery Protection Features

NOTE: A significantly reduced run time after fully charging the battery pack indicates that the batteries are nearing the end of their usable life and must be replaced.

The Garant batteries are designed with features that protect the lithium-ion cells and maximize battery life. If your tool stops working during use, the following may be the causes:

- a. The maximum current draw of the battery has exceeded its limit, causing it to automatically stop powering the tool. Release the trigger to reset the tool and pull the trigger to resume operation.
- b. Excessive temperatures will cause the battery to stop powering the tool. Feel the battery pack, if it is too warm, allow it to cool down.
- c. If the tool still does not work, recharge the battery.

4.3 Charging The Battery Pack

NOTE: Battery packs are shipped with a partial charge and need to be fully charged before first use. If the battery does not get properly charged following the steps above, please contact our helpline at 1 800 463-7040 to locate a certified dealer and get it checked. Do not attempt to service the battery yourself.

TO CHARGE:

1. Use only a Garant charger (85823 or 85824)
2. Connect the charger to the household power supply with an AC voltage of 100-120 volts, 60 Hz.
3. Slide the battery pack along the grooves of the charger.
4. Press down the battery pack to ensure contacts on the battery pack engage properly with contacts in the charger.
5. Do not place the charger and battery in an area of extreme heat or cold; they work best in temperatures between 40°F (4°C) and 110°F (43°C). If the battery warms above or cools below its normal temperature range, the four LEDs on its display will flash green and the LED of the charger will flash red until the battery temperature gets back to normal. Then, the charger will automatically begin the regular charge process.
6. The battery pack can become slightly warm to the touch while charging. This is normal and does not indicate a problem.
7. After charging is complete, the charger's green LED will turn and remain on until either the battery pack has been removed from the charger or the charger has been disconnected from the power supply.

4.4 Battery Life

NOTE: The equipment should not be stored in a wet environment or areas with corrosive gases, but rather in a dry place that is out of the reach of children.

The Garant batteries were designed to last. However, like all batteries, they will eventually wear out. When they do, do not take apart the battery pack and attempt to replace the battery cells inside. Handling of these cells, especially when wearing rings and jewelry, could result in a serious burn.

To obtain the longest possible battery life, we recommend the following:

- Remove the battery pack from the charger once it is fully charged and ready for use.
- Store the battery pack where the temperature is between 40°F (4°C) and 110°F (43°C) and away from moisture.
- Store battery packs in a 30%-50% charged condition.
- Every three months of storage, charge the pack as normal.

5. Maintenance



WARNING: Do not at any time let brake fluids, gasoline, petroleum-based products, penetrating oils, etc. come in contact with plastic parts. Chemicals can damage, weaken, or destroy plastic which may result in serious personal injury.



WARNING: To reduce the risk of fire, personal injury, and product damage due to a short circuit, never immerse your tool, battery pack, or charger in fluid or allow fluid to flow inside them. Corrosive or conductive fluids, such as seawater, certain industrial chemicals, bleach, bleach-containing products, etc., can cause a short circuit.



WARNING: To avoid serious personal injury, always remove the battery pack from the tool when cleaning or performing any maintenance.

- Avoid using solvents when cleaning plastic parts. Most plastics are susceptible to damage from various types of commercial solvents and may be damaged by their use.
- Keep the surface of the equipment clean by wiping it with a dry cloth.
- There are no user-serviceable parts inside the battery, so it should never be disassembled. If the battery is damaged, please contact our customer service at 1 800 463-7040.

6. Recycling



WARNING: When preparing the battery for disposal or recycling, cover its terminals with heavy-duty adhesive tape. Never touch both terminals with metal objects and/or body parts as a short circuit may result. Do not attempt to destroy or disassemble batteries or remove any of the components. Keep the product out of reach of children. Failure to comply with these warnings could result in fire and/or serious injury.

Please recycle all materials instead of disposing of them as waste. The product, accessories, and packaging should be sorted for environmental-friendly recycling.

7. Troubleshooting

The following chart lists problem symptoms, possible causes, and corrective action if your garden product does not operate properly. If these do not identify and correct the problem, contact our helpline at 1 800 463-7040.

Problem	Probable cause	Corrective action
The battery isn't charging while on the charger.	2.5 Ah, 4.0 Ah, 8.0 Ah, 12.0 Ah: The battery pack is too warm or too cool and the four LEDs flash green .	Allow the battery pack to reach its normal temperature range. Charging will begin when the battery pack returns to 40°F (4°C) - 110°F (43°C).
	5.0 Ah: The battery pack is too warm or too cold and the four LEDs flash red .	
	Battery error for 2.5 Ah, 4.0 Ah, 8.0 Ah, 12.0 Ah: The four LEDs flash green .	Contact customer service.
	Battery error for 5.0 Ah: The two LEDs flash green .	

8. Limited Warranty Coverage

The manufacturer warrants that it will repair or replace, free of charge, any failure due to defects in materials or workmanship or both occurring during the applicable warranty period, subject to the exclusions and limitations outlined in the following paragraphs. Limited Warranty coverage only applies to Garant products that are purchased from an authorized Garant retailer located in the United States, U.S. territories, or Canada. This warranty is effective for and is subject to the periods and conditions stated below. For warranty service, the purchaser must make the product available to the nearest Authorized Service Dealer, which can be found by contacting the helpline at 1 800 463-7040.

Persons Covered This Limited Warranty

This warranty is valid for the original retail purchaser from the date of initial retail purchase and is not transferable.

"Consumer Use"

"Consumer Use" means personal residential household use by a retail consumer.

"Commercial Use"

"Commercial Use" means uses for commercial, income-producing purposes. This warranty is void if the product has been used for rental purposes.

Warranty Period

Consumer Use	Commercial Use
3 years	45 days

What are the limits on the Manufacturer's Liability?

- A. The manufacturer shall not be liable for any incidental or consequential damages of any kind resulting from the purchase, use or misuse of, or inability to use the product including incidental, special, consequential, or similar damages or loss of profits, or for any claim brought against the purchaser by any other party. There are no express warranties other than those set forth herein. Any warranty implied by state law (whether of merchantability or fitness for a particular use or otherwise) shall be effective for any product only for the duration of the applicable limited warranty period listed above. Some states or jurisdictions do not allow the exclusion or limitation of incidental or consequential damages or limitations on how long an implied warranty lasts, so the above limitations or exclusion may not apply to you. This warranty gives you specific legal rights, and you may also have other rights that vary from state to state or jurisdiction to jurisdiction. Please do not return this product to the place of purchase.
- B. This warranty applies only to products that have been properly assembled, adjusted, operated, and maintained in accordance with the instructions furnished.
- C. This warranty does not apply to any product which has been subjected to alteration, misuse, abuse, improper assembly or installation, delivery damage, or normal wear of the product.
- D. This warranty does not cover normal wear of parts or damage resulting from any of the following: negligent use or misuse of the product, use on improper voltage or current, use contrary to the operating instructions, disassembly, repair, or alteration by anyone other than an authorized service dealer. Further, the warranty does not cover acts of God, such as fire, flood, hurricanes, and tornadoes.

Duties of the Consumer

- A. Keep the original sales receipt for the length of the limited warranty period as proof of purchase. Proof of purchase is required to obtain a warranty. The manufacturer reserves the right to request a copy of the receipt to verify limited warranty coverage in the event a warranty repair is made to the product.
- B. Use reasonable care in the maintenance, operation, and storage of the product as explained in the operator's manual.
- C. Transportation charges on products or parts submitted for repair or replacement under this warranty must be paid by the purchaser unless such repair or replacement is requested by the manufacturer.

Duties of the Manufacturer

- A. Any defective product or part covered by this limited warranty will be repaired or replaced at the option of the Manufacturer.
- B. Product failures covered by this limited warranty will be scheduled and repaired according to the normal workflow of the Authorized Service Dealer to whom the product is delivered for service depending upon the availability of replacement parts or products.

9. Product Registration

Thank you for purchasing our product. To ensure we provide you with the best service and support, please take a moment to register your product. **Registration will enable you to receive important updates, warranty information, and faster service.**

How to Register



Online Registration

Visit our website: www.garant.com

Fill in the required information, including your product number and serial number. Submit the form.

Benefits of Registration

Receive important product updates and notifications. Access to warranty information and extended warranty options. Faster and more efficient customer service. If you have any questions or need assistance with the registration process, please contact our customer support team at 1 800 463-7040.

Thank you for choosing our product!

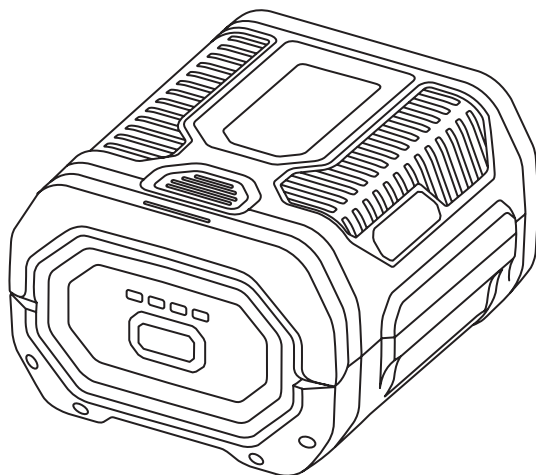


Garant
MC
TM

Batterie rechargeable au lithium-ion 62V

Guide de l'utilisateur

Numéros de produit : 85819, 85820, 86105, 85821, 85822



CHARGER AVANT LA PREMIÈRE UTILISATION



AVERTISSEMENT : Pour réduire le risque de blessure, l'utilisateur doit lire et comprendre le manuel d'utilisation avant d'utiliser ce produit. Conservez ces instructions pour toute référence ultérieure.

Soutien technique - numéro sans frais : 1 800 463-7040





Table des matières

Section 1 Règles générales de sécurité	17
Section 2 Schéma de la batterie	20
Section 3 Spécifications techniques	20
Section 4 Fonctionnement	21
Section 5 Entretien	23
Section 6 Recyclage	24
Section 7 Dépannage	24
Section 8 Garantie limitée	25
Section 9 Enregistrement du produit	27

1. Règles générales de sécurité

SYMBOLES SUR LE PRODUIT

Les symboles suivants peuvent apparaître sur votre appareil avant, pendant ou après son utilisation. Prenez le temps de lire et de comprendre la signification de chaque symbole avant d'utiliser votre appareil.

	Alerte de sécurité	Précautions à prendre pour votre sécurité.
	Lire le guide de l'utilisateur	Pour réduire le risque de blessure, l'utilisateur doit lire et comprendre le manuel de l'utilisateur avant d'utiliser ce produit.
	Ne pas exposer à la pluie ou à l'humidité	Ce symbole indique que le produit ne doit pas être exposé à l'eau sous quelque forme que ce soit. L'exposition à l'eau peut créer des conditions dangereuses et entraîner une électrocution.
	Symbole de recyclage	La batterie contient des substances toxiques. Les lois locales, régionales ou fédérales peuvent interdire l'élimination des batteries avec les ordures ménagères. Consultez les autorités locales chargées des déchets pour obtenir des informations sur les options d'élimination disponibles.

VEUILLEZ LIRE TOUTES LES INSTRUCTIONS AVANT D'UTILISER CE PRODUIT : Les instructions de sécurité du Guide de l'utilisateur visent à favoriser votre sécurité et à vous guider dans l'utilisation des produits Garant. Une personne qui ne lirait pas ou qui ne comprendrait pas les informations transmises dans ce guide pourrait s'exposer à des conditions de travail non sécuritaires et aux risques suivants : électrocution, explosion, incendie ou réaction chimique. Veuillez conserver tous les avertissements et instructions pour référence ultérieure.

1.1 Sécurité de l'espace de travail

- **Préparez votre espace de travail.** La première étape avant d'utiliser l'appareil devrait être de vous assurer de travailler dans des lieux propres et bien éclairés. Si possible, utilisez des appareils de captage et d'élimination de la poussière.
- **N'utilisez jamais vos outils électriques en présence de liquides, de gaz ou de poussières inflammables.**
- **Tenez les enfants et les passants à l'écart lorsque vous utilisez vos outils électriques.** En travaillant loin des autres, vous réduisez le risque de blessure à d'autres personnes que vous. En outre, vous pouvez éviter les distractions indésirables qui peuvent conduire à une utilisation dangereuse.

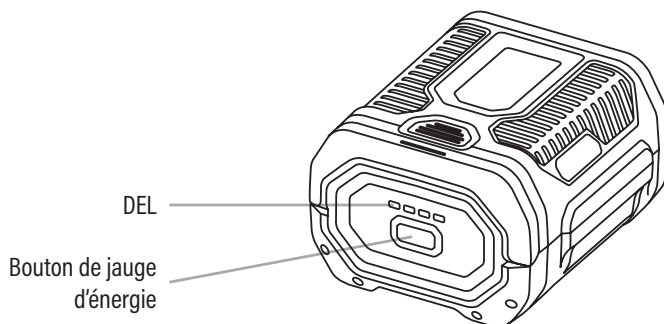
1.2 Utilisation et entretien de la batterie

- **La batterie doit être complètement chargée avant sa première utilisation.**
- **Rechargez uniquement avec le chargeur Garant (85823, 85824).**
- **Conservez la batterie à l'abri de la pluie et/ou de l'humidité.** L'eau augmente le risque de choc électrique.
- **Prenez des précautions lors de l'entreposage de la batterie.** Rangez les batteries à l'écart d'autres objets métalliques tels que des trombones, des pièces de monnaie, des clés, des clous, des vis ou d'autres petits objets métalliques pour garantir un entreposage sécuritaire.
- **Évitez tout contact avec le liquide déchargé du bloc-batterie.** Dans les cas extrêmes seulement, du liquide pourrait s'échapper des batteries. Vous devez vous préparer à une telle éventualité. En cas de contact accidentel avec le liquide, rincez immédiatement la zone touchée avec de l'eau. Si le liquide entre en contact avec les yeux, consultez immédiatement un professionnel de la santé.
- **N'essayez pas de modifier le bloc-batterie.** De plus, si le bloc-batterie a été endommagé, veillez à vous en débarrasser correctement et n'essayez pas de l'utiliser à nouveau.
- **N'ouvrez jamais la batterie.** L'ouverture de la batterie peut entraîner un risque de court-circuit du système.
- **Pour obtenir les meilleurs résultats, la batterie doit être chargée dans un endroit où la température est supérieure à 40°F (4°C), mais inférieure à 110°F (43°C).** Pour réduire le risque de blessures graves, ne rangez pas les batteries à l'extérieur ou dans des véhicules.
- **Évitez les températures excessives.** Si votre batterie surchauffe au-delà de 212°F (100°C), elle risque d'exploser. Soyez vigilant et évitez les situations d'exposition prolongée au soleil ou les contacts avec du feu.

- **Évitez d'écraser, de faire tomber ou d'endommager la batterie.** N'utilisez jamais une batterie ou un chargeur qui serait tombé par terre ou qui aurait subi un impact. Les batteries endommagées risquent d'exploser. Disposez immédiatement des batteries endommagées.
- **Les batteries peuvent exploser en présence d'une source d'allumage, telle qu'une veilleuse.** Pour réduire le risque de blessures graves, n'utilisez jamais un produit sans fil en présence d'une flamme nue. Une batterie qui explose peut projeter des débris et des produits chimiques. En cas d'exposition, rincez immédiatement à l'eau.
- **Ne laissez pas l'essence, les huiles, les produits à base de pétrole, etc. entrer en contact avec les pièces en plastique.** Ces substances contiennent des produits chimiques qui peuvent endommager, affaiblir ou détruire le plastique.
- **Confiez l'entretien de votre batterie à un réparateur qualifié qui n'utilisera que des pièces de rechange identiques.** Cela permettra de garantir la sécurité du bloc-batterie.
- **Cette batterie n'est compatible qu'avec les outils Garant.** N'utilisez pas votre batterie sur d'autres outils ou à d'autres fins.

PRIÈRE DE CONSERVER CES INSTRUCTIONS

2. Schéma de la batterie



3. Spécifications techniques

Numéro de produit	85819	85820	86105	85821	85822
Tension nominale	62 Vdc	62 Vdc	62 Vdc	62 Vdc	62 Vdc
Capacité	2,5 Ah/ 135 Wh	4,0 Ah/ 216 Wh	5,0 Ah/ 270 Wh	8,0 Ah/ 432 Wh	12,0 Ah/ 648 Wh
Nombre de cellules	15 pièces	15 pièces	30 pièces	30 pièces	45 pièces
Poids	2,98 lbs (1,35 kg)	3,75 lbs (1,70 kg)	5,29 lbs (2,4 kg)	6,66 lbs (3,02 kg)	9,37 lbs (4,25 kg)
Chargeurs compatibles	85823 & 85824				
Tension d'entrée	100-120Va.c., 60 Hz, 6,5A & 10A				
Tension de sortie	62V d.c., 4A & 4+4A				
Température de charge	39 - 104°F (4-40°C)				

4. Fonctionnement



AVERTISSEMENT : Portez toujours des lunettes de sécurité avec protecteurs latéraux lorsque vous utilisez l'appareil. Autrement, des objets projetés pourraient atteindre vos yeux et causer de graves blessures.



AVERTISSEMENT : Examinez tout le produit avant chaque utilisation afin de détecter les pièces endommagées, manquantes ou mal serrées. Serrez toutes les attaches et n'utilisez pas ce produit avant que les pièces manquantes ou abîmées ne soient remplacées.

4.1 Jauge d'énergie

REMARQUE : L'indicateur reste éteint jusqu'à ce que le bouton de la jauge d'énergie soit enfoncé. Les diodes s'allument alors pendant cinq secondes et s'éteignent automatiquement.

Cette batterie est dotée d'un indicateur à 4 DEL qui indique le niveau de charge de la batterie. Pour vérifier le niveau de charge, appuyez sur le bouton de jauge d'énergie.

1. Si les quatre DEL s'allument en vert, la batterie est complètement chargée. La capacité de la batterie se situe entre 80 % et 100 %.
2. Si trois DEL s'allument en vert et qu'une est éteinte, la capacité de la batterie se situe entre 60 %-80 %.
3. Si deux DEL s'allument en vert et que deux sont éteintes, la capacité de la batterie est comprise entre 40 % et 60 %.
4. Si une seule DEL s'allume en vert et que les autres sont éteintes, la capacité de la batterie est comprise entre 20 % et 40 %.
5. Si une seule DEL clignote en vert, la capacité de la batterie est inférieure à 20 % et la batterie doit être rechargée.

4.2 Caractéristiques de protection de la batterie

REMARQUE : Une durée d'utilisation considérablement réduite après une charge complète du bloc-batterie indique que les batteries approchent de la fin de leur durée de vie et doivent être remplacées.

Les batteries Garant sont conçues avec des caractéristiques qui protègent les cellules lithium-ion et maximisent la durée de vie de la batterie. Si votre outil cesse de fonctionner pendant l'utilisation, les causes suivantes peuvent expliquer le dysfonctionnement :

- a. L'appel de courant maximum de la batterie a dépassé sa limite, entraînant l'arrêt automatique de l'alimentation de l'outil. Relâchez la gâchette pour réinitialiser l'outil et appuyez sur la gâchette pour le remettre en marche.
- b. Des températures excessives entraînent l'arrêt de l'alimentation de l'outil par la batterie. Touchez la batterie, si elle est trop chaude, laissez-la refroidir.
- c. Si l'outil ne fonctionne toujours pas, rechargez la batterie.

4.3 Chargement de la batterie

REMARQUE : les batteries sont expédiées avec une charge partielle et doivent être complètement chargées avant la première utilisation. Si la batterie n'est pas correctement chargée malgré le respect des étapes de chargement, veuillez contacter notre soutien technique au 1 800 463-7040 pour trouver un revendeur certifié et faire vérifier la batterie. N'essayez pas de réparer la batterie vous-même.

POUR CHARGER :

1. Utilisez uniquement un chargeur Garant (85823 ou 85824).
2. Connectez le chargeur à l'alimentation électrique domestique avec une tension alternative de 100-120 volts, 60 Hz.
3. Faites glisser le bloc-batterie le long des rainures du chargeur.
4. Appuyez sur le bloc-batterie pour vous assurer que les contacts du bloc-batterie s'engagent correctement dans les contacts du chargeur.
5. Ne placez pas le chargeur et la batterie dans une zone de chaleur ou de froid extrêmes; ils fonctionnent mieux à des températures comprises entre 40°F (4°C) et 110°F (43°C). Si la batterie se réchauffe au-delà ou se refroidit en dessous de sa plage de température normale, les quatre DEL de son écran clignoteront en vert et la DEL du chargeur clignotera en rouge jusqu'à ce que la température de la batterie revienne à la normale. Ensuite, le chargeur commencera automatiquement le processus de charge normal.
6. Le bloc-batterie peut devenir légèrement chaud au toucher pendant la charge. Ceci est normal et n'indique pas un problème.
7. Une fois la charge terminée, le voyant vert du chargeur s'allume et reste allumé jusqu'à ce que la batterie soit retirée du chargeur ou que le chargeur soit déconnecté de l'alimentation électrique.

4.4 Durée de vie de la batterie

REMARQUE : L'équipement ne doit pas être rangé dans un environnement humide ou dans des zones contenant des gaz corrosifs, mais plutôt dans un endroit sec et hors de portée des enfants.

Les batteries Garant ont été conçues pour durer. Cependant, comme toutes les batteries, elles finissent par s'user. Le cas échéant, ne démontez pas la batterie pour tenter de remplacer les éléments qu'elle contient. La manipulation de ces éléments, en particulier lorsque vous portez des bagues et des bijoux, peut entraîner de graves brûlures.

Pour obtenir la durée de vie la plus longue possible de la batterie, il est recommandé de :

- Retirer la batterie du chargeur une fois qu'elle est complètement chargée et prête à l'emploi.
- Conserver la batterie dans un endroit où la température est comprise entre 40°F (4°C) et 110°F (43°C) et à l'abri de l'humidité.
- Conserver les blocs-batteries dans un état de charge de 30 % à 50 %.
- Recharger la batterie comme d'habitude tous les trois mois.

5. Entretien



AVERTISSEMENT : Ne laissez jamais les liquides de frein, l'essence, les produits à base de pétrole, les huiles pénétrantes, etc. entrer en contact avec les pièces en plastique. Les produits chimiques peuvent endommager, affaiblir ou détruire le plastique, ce qui peut entraîner des blessures graves.



AVERTISSEMENT : Pour réduire les risques d'incendie, de blessures et d'endommagement du produit dus à un court-circuit, n'immergez jamais votre outil, votre bloc-batterie ou votre chargeur dans un liquide et ne laissez pas de liquide couler à l'intérieur. Les liquides corrosifs ou conducteurs, tels que l'eau de mer, certains produits chimiques industriels, l'eau de Javel, les produits contenant de l'eau de Javel, etc. peuvent provoquer un court-circuit.



AVERTISSEMENT : Pour éviter toute blessure grave, retirez toujours la batterie de l'outil lors du nettoyage ou de l'entretien.

- Évitez d'utiliser des solvants pour nettoyer les pièces en plastique. La plupart des plastiques sont susceptibles d'être endommagés par divers types de solvants commerciaux.
- Maintenez la surface de l'appareil propre en l'essuyant avec un chiffon sec.
- La batterie ne contient aucune pièce réparable par l'utilisateur et ne doit donc jamais être démontée. Si la batterie est endommagée, veuillez contacter notre service clientèle au 1800 463-7040.

6. Recyclage



AVERTISSEMENT : Lorsque vous préparez la batterie en vue de son élimination ou de son recyclage, recouvrez ses bornes avec du ruban adhésif résistant. Ne touchez jamais les deux bornes avec des objets métalliques et/ou des parties du corps, car un court-circuit pourrait en résulter. N'essayez pas de détruire ou de désassembler les batteries ou d'en retirer l'un des composants. Gardez le produit hors de portée des enfants. Le non-respect de ces avertissements peut entraîner un incendie et/ou des blessures graves.

Veillez recycler tous les matériaux au lieu de les mettre au rebut. Le produit, les accessoires et l'emballage doivent être triés en vue d'un recyclage respectueux de l'environnement.

7. Dépannage

Le tableau suivant énumère les symptômes, les causes possibles et les mesures correctives à prendre si votre produit ne fonctionne pas correctement. Si ces mesures ne permettent pas d'identifier et de corriger le problème, contactez notre soutien technique au 1 800 463-7040.

Problème	Cause probable	Action corrective
La batterie ne se charge pas lorsqu'elle est sur le chargeur.	2,5 Ah, 4,0 Ah, 8,0 Ah, 12,0 Ah : Le bloc-batterie est trop chaud ou trop froid et les quatre DEL clignotent en vert .	Laissez la batterie atteindre sa plage de température normale. Le chargement commencera lorsque la température de la batterie reviendra à 40°F (4°C) - 110°F (43°C).
	5,0 Ah : Le bloc-batterie est trop chaud ou trop froid et les quatre DEL clignotent en rouge .	
	Erreur de batterie pour 2,5 Ah, 4,0 Ah, 8,0 Ah, 12,0 Ah : Les quatre DEL clignotent en vert .	Contacter notre service à la clientèle.
	Erreur de batterie pour 5,0 Ah : Les deux DEL clignotent en rouge .	

8. Garantie limitée

Le fabricant garantit qu'il réparera ou remplacera, gratuitement, toute défaillance due à des défauts de matériaux ou de fabrication, ou les deux, survenant pendant la période de garantie applicable, sous réserve des exclusions et des limitations décrites dans les paragraphes suivants. La couverture de la garantie limitée ne s'applique qu'aux produits Garant achetés auprès d'un revendeur Garant agréé situé aux États-Unis, dans les territoires américains ou au Canada. Cette garantie est en vigueur et est soumise aux périodes et conditions indiquées ci-dessous. Pour bénéficier de la garantie, l'acheteur doit mettre le produit à la disposition du revendeur agréé le plus proche. Communiquez avec le soutien technique au 1 800 463-7040 pour trouver un revendeur agréé près de chez vous.

Personnes couvertes par cette garantie limitée

Cette garantie est valable pour le premier acheteur au détail à partir de la date de l'achat initial au détail et n'est pas transférable.

« Utilisation par le consommateur »

L'expression « utilisation par le consommateur » désigne l'utilisation résidentielle personnelle par un consommateur au détail.

« Usage commercial »

« Utilisation commerciale » fait référence à l'utilisation du produit dans un contexte commercial, pour faire des profits. La garantie n'est pas valide si le produit est utilisé à des fins locatives.

Période de garantie

Utilisation résidentielle	Utilisation commerciale
3 ans	45 jours

Quelles sont les limites de la responsabilité du fabricant ?

- A. Le fabricant n'est pas responsable des dommages accessoires ou indirects découlant de l'achat, de l'utilisation correcte ou incorrecte du produit, ou de l'incapacité d'utiliser le produit, dont les dommages accessoires, spéciaux, indirects ou autres dommages de ce type et la perte de profits. Le fabricant n'est pas non plus responsable de toute réclamation provenant d'une tierce partie envers l'acheteur. Il n'y a aucune autre garantie expresse que celles indiquées dans le présent guide. Les garanties prévues par la loi sont valides pour les durées prévues de la garantie limitée du produit (sur le plan de la qualité marchande, de la convenance précise ou autre). Certains États ou administrations ne permettent pas l'exclusion ou la restriction des dommages accessoires ou indirects ou ne déterminent pas de limites de durée de la garantie implicite. Les restrictions susmentionnées pourraient ne pas s'appliquer à votre situation si vous résidez dans l'un de ces endroits. La garantie vous donne des droits en vertu de la loi, d'autres droits pourraient s'appliquer selon l'État ou le lieu de résidence. Prière de ne pas rapporter ce produit là où il a été acheté.
- B. La garantie s'applique uniquement aux produits adéquatement assemblés, réglés, utilisés et entretenus selon les instructions fournies.
- C. La garantie ne s'applique pas aux produits modifiés, mal utilisés, surutilisés, mal assemblés ou installés, abîmés lors du transport ou usés de façon normale.
- D. La garantie ne couvre pas l'usure normale des pièces ou les dommages découlant des situations suivantes : négligence, usage impropre, utilisation avec un voltage ou du courant inadéquat, usage contraire aux recommandations, démontage, réparations ou modification par toute autre personne qu'un fournisseur autorisé. De plus, la garantie ne couvre pas les cas de force majeure comme les incendies, les inondations, les ouragans ou les tornades.

Responsabilités du consommateur

Le consommateur/acheteur du produit doit :

- A. Conserver le reçu d'achat pour la période de validité de la garantie. La preuve d'achat est nécessaire pour se prévaloir de la garantie. Le fabricant se réserve le droit de demander une preuve d'achat pour vérifier la garantie limitée dans le cas d'une réparation ou d'un remplacement de l'appareil conformément à la garantie.
- B. Traiter le produit de façon raisonnable et en conformité avec les recommandations d'entretien, d'utilisation et de rangement inclus dans le Guide de l'utilisateur.
- C. Débourser les frais de transports du produit ou des pièces à remplacer ou à changer à moins que la demande de réparation ou de remplacement ne vienne du fabricant lui-même.

Responsabilités du fabricant

- A. Les pièces défectueuses ou les produits défectueux couverts par la garantie seront réparés ou échangés, à la discrétion du fabricant.
- B. Les bris couverts par la garantie seront réparés en fonction de la charge de travail normale du fournisseur autorisé à qui le mandat de réparation est confié et selon la disponibilité des produits ou des pièces de remplacement.

9. Enregistrement du produit

Merci d'avoir acheté notre produit. Pour nous assurer de vous fournir le meilleur service et support, veuillez prendre un moment pour enregistrer votre produit. **L'enregistrement vous permettra de recevoir des mises à jour importantes, des informations sur la garantie et un service plus rapide.**

Comment s'enregistrer



Enregistrement en ligne

Visitez notre site web : www.garant.com

Remplissez les informations requises, y compris le numéro de modèle et le numéro de série de votre produit. Soumettez le formulaire.

Avantages de l'enregistrement

Recevez des mises à jour et des notifications importantes sur le produit. Accédez aux informations sur la garantie et aux options de garantie prolongée. Service client plus rapide et plus efficace. Si vous avez des questions ou besoin d'aide pour le processus d'enregistrement, veuillez contacter notre équipe de support client au 1 800 463-7040.

Merci d'avoir choisi notre produit !

